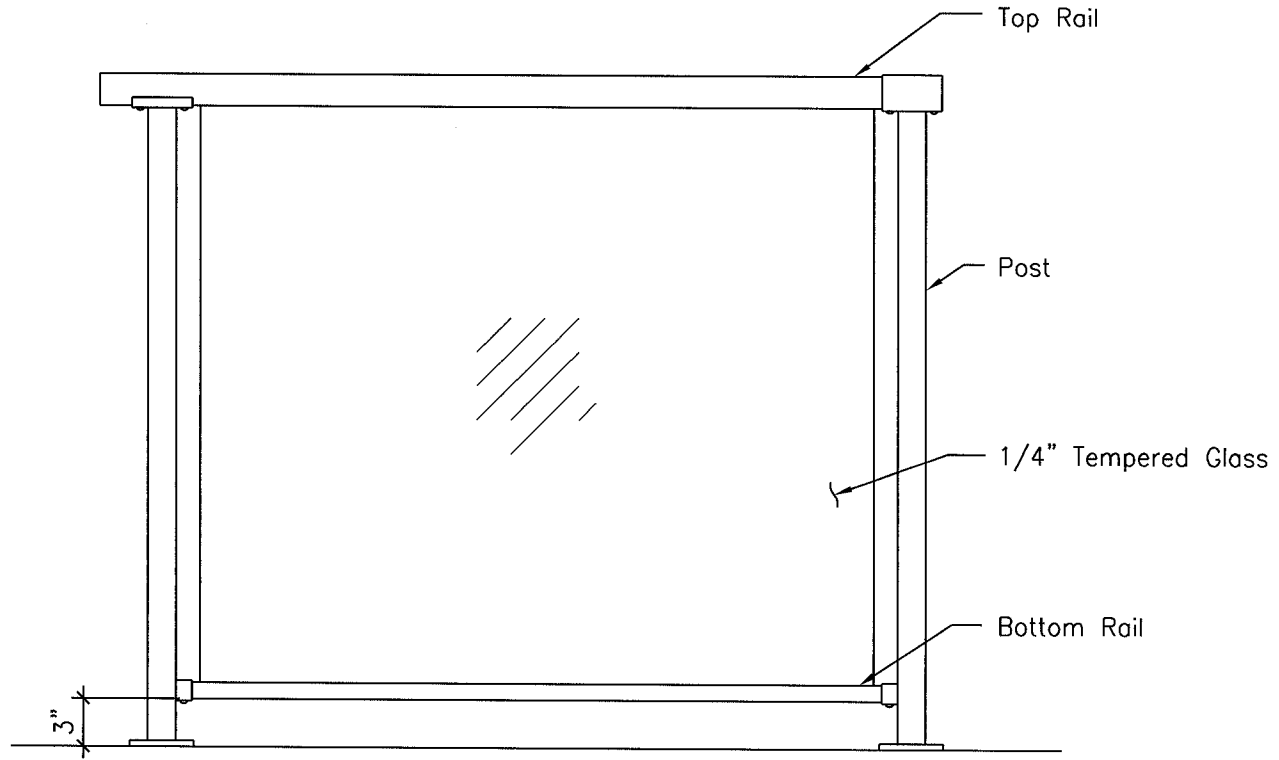


File: ACAD2000\A2000.dwg\StarSystemInternational\MinnesotaVinyl\2006\MiniVinyl09.Dwg



Project:

Drawing No.

SK2

Scale:

1"=1'-0"

Title:

CLASSIC GLASS RAIL

Drawn By:

Date:

Checked By:

Revision:

**S.T.A.R. SYSTEM INTERNATIONAL LTD.**  
ALUMINUM RAILING & FENCING



TEL: (604) 438-6261 FAX: (604) 438-4021