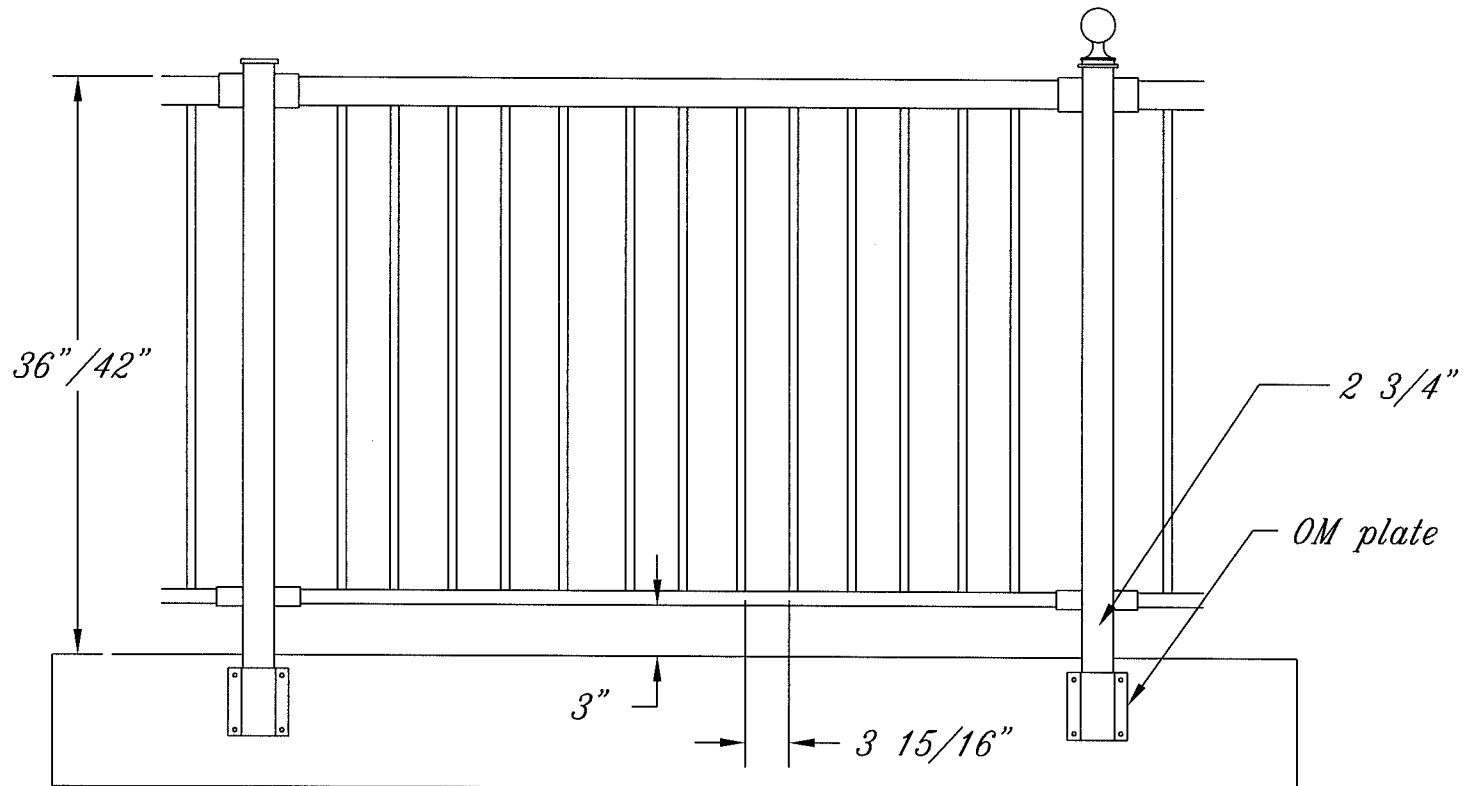


S.T.A.R SYSTEM INTERNATIONAL LTD.

ALUMINUM RAILING & FENCING



Part #
COLONIAL RAIL
Face Mounted

36" or 42" high

Dwg. #
EL-220