

S.T.A.R SYSTEM INTERNATIONAL LTD.

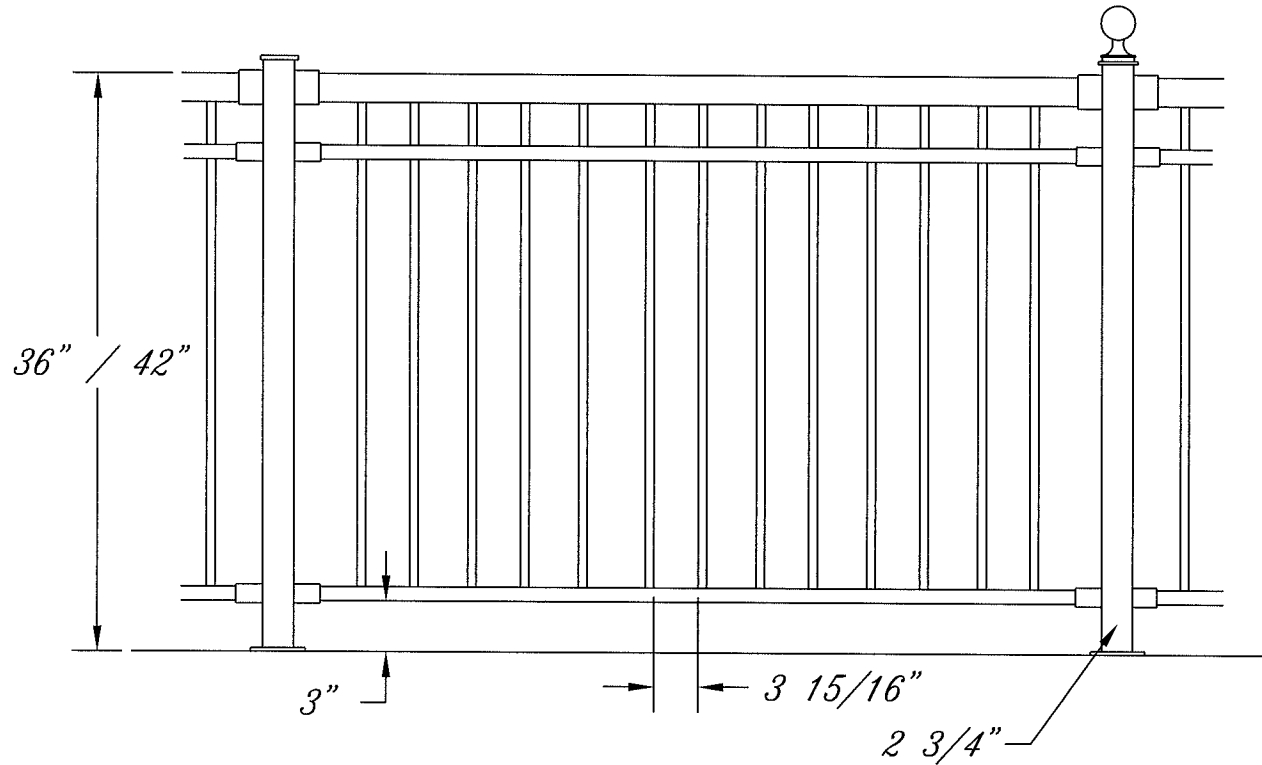
ALUMINUM RAILING & FENCING



For three rail posts indicate "TR" after part letter

IE PC-142B-TR

NOTE: Only FR-100 & 3/4" sq. can be used for three rail when pickets pass trough rail



Part #

COLONIAL RAIL

36" or 42" High

Dwg. #

EL-2.50