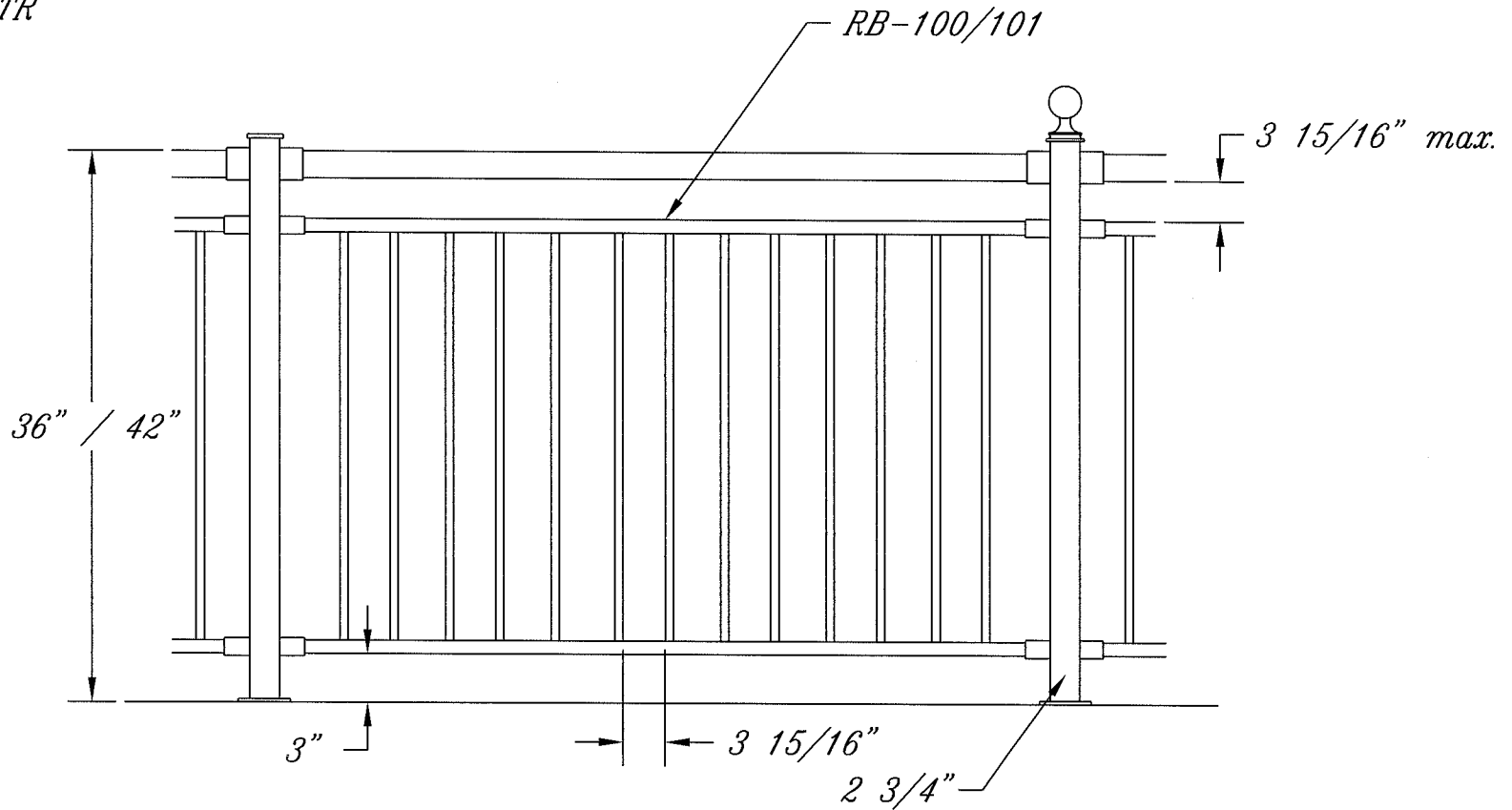


S.T.A.R SYSTEM INTERNATIONAL LTD.

ALUMINUM RAILING & FENCING



For three rail posts indicate "TR" after part letter
IE PC-142B-TR



Alternate shapes and materials may be used for top rail

Part #

COLONIAL RAIL

36" or 42" High

Dwg.#

EL-2.30