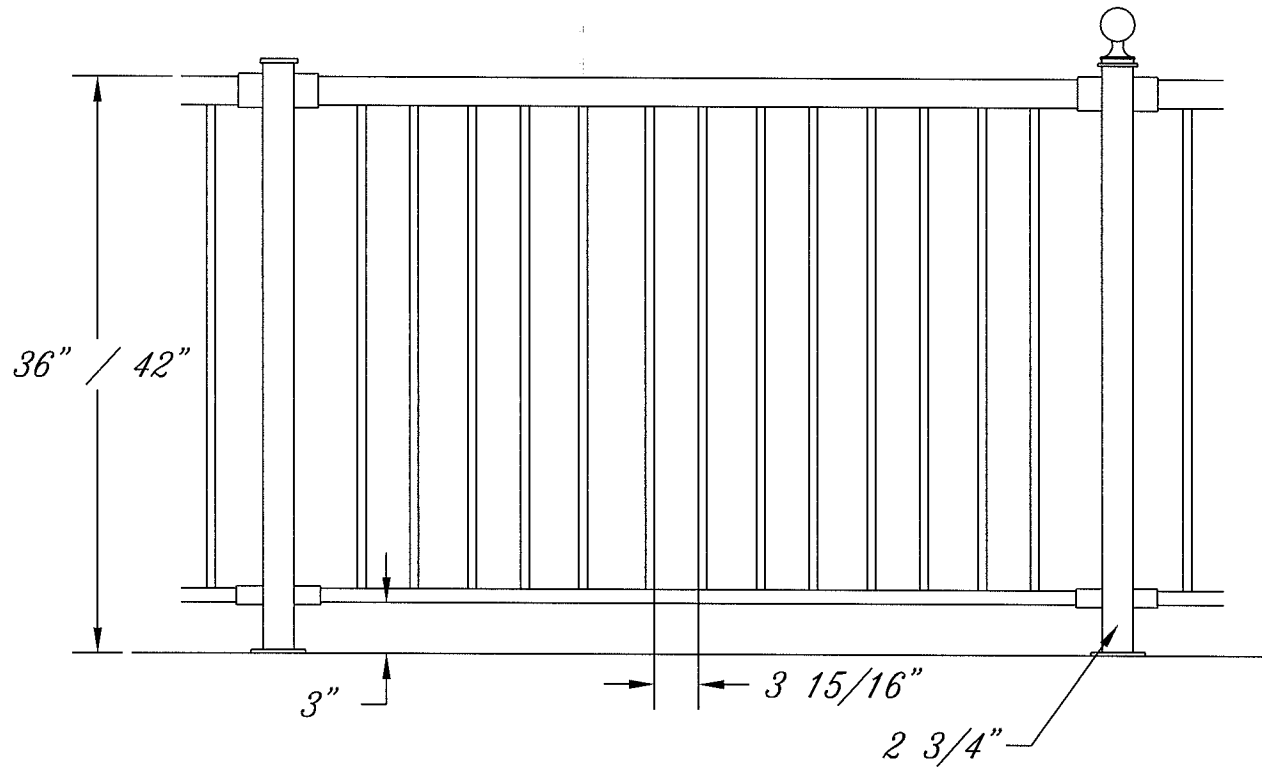


*S.T.A.R SYSTEM INTERNATIONAL LTD.*

*ALUMINUM RAILING & FENCING*



*Part #*

*COLONIAL RAIL*

*36" or 42" High*

*Dwg #*

*EL-2.10*