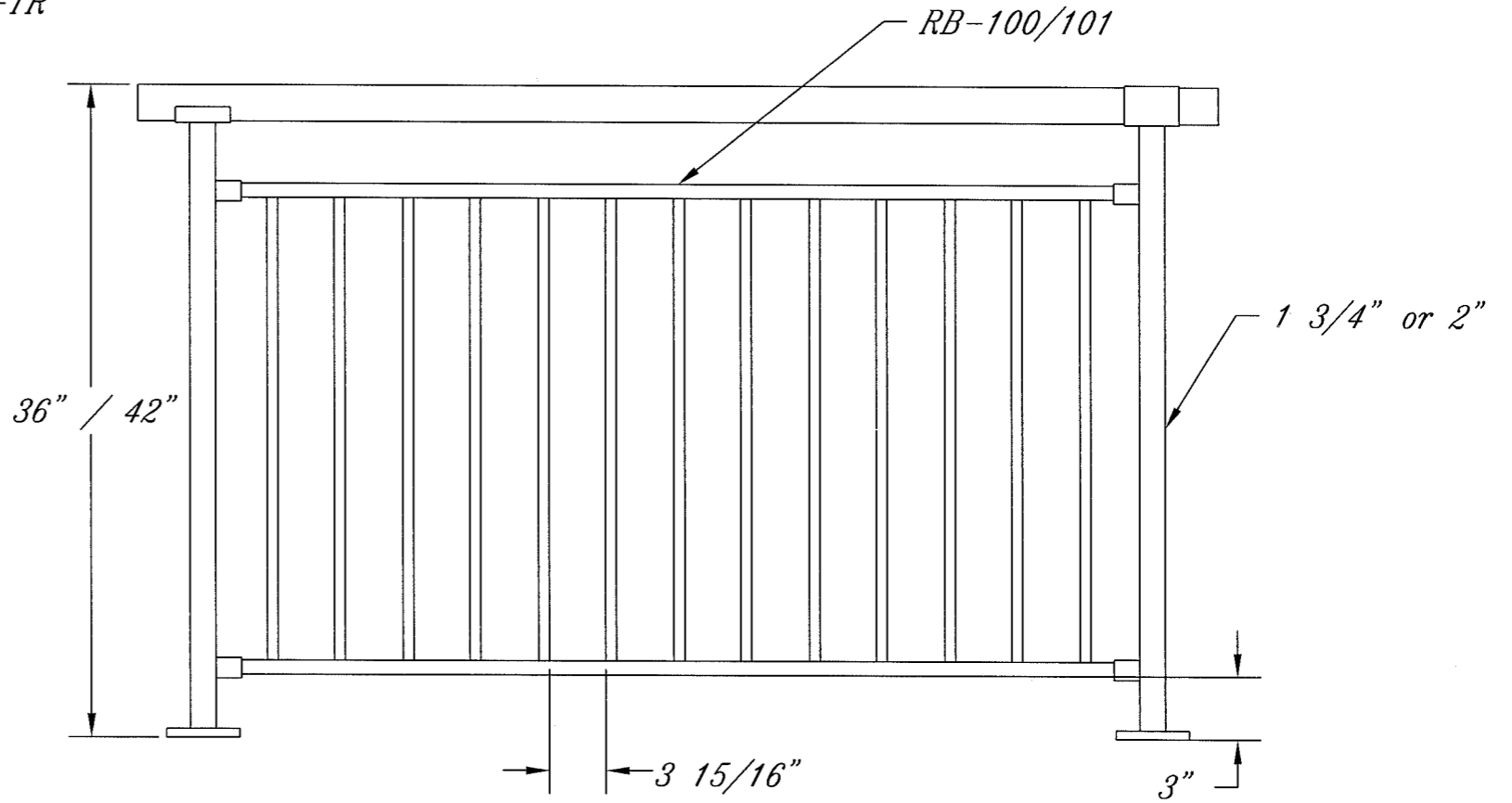


IE PC-142B-TR



*Alternate shapes and materials may be used for top rail*

*Part #*

*CLASSIC RAIL*

*Dwg #*

*36'' or 42'' High*

*EL-1.30*